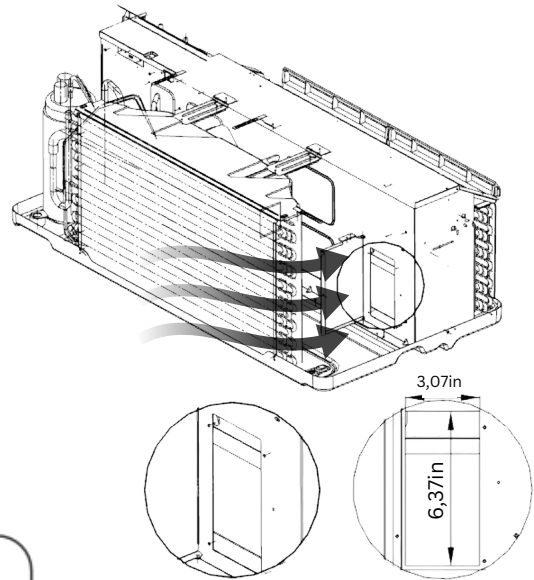
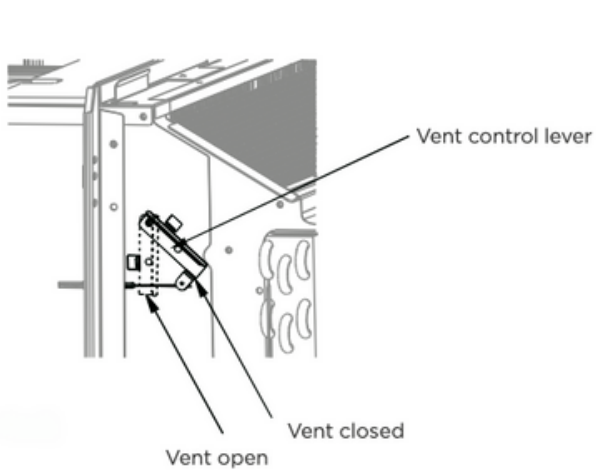


## FRESH AIR SYSTEM

The Cooper&Hunter PTAC Series features a built-in fresh air system.



### **NOTE**

Built-in ventilation control. Make sure the ventilation is open for proper operation of the unit's Fresh Air system.

### **NOTE**

Be sure to remove the shipping tape before opening the fresh air door.

